

MICRO SWITCH
 FREEPORT ILLINOIS, U.S.A
 A DIVISION OF HONEYWELL
 FED. MFG. CODE 91929

**MINIATURE PRECISION
 LIMIT SWITCH**

CATALOG LIST:
924CE3-S3

924CE3-S3

M

DRAWING
 NUMBER

2

ISSUE

REPLACES
 PR-14729

CHECK

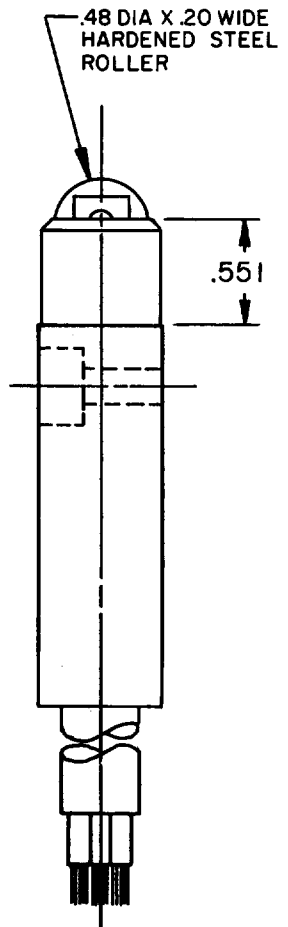
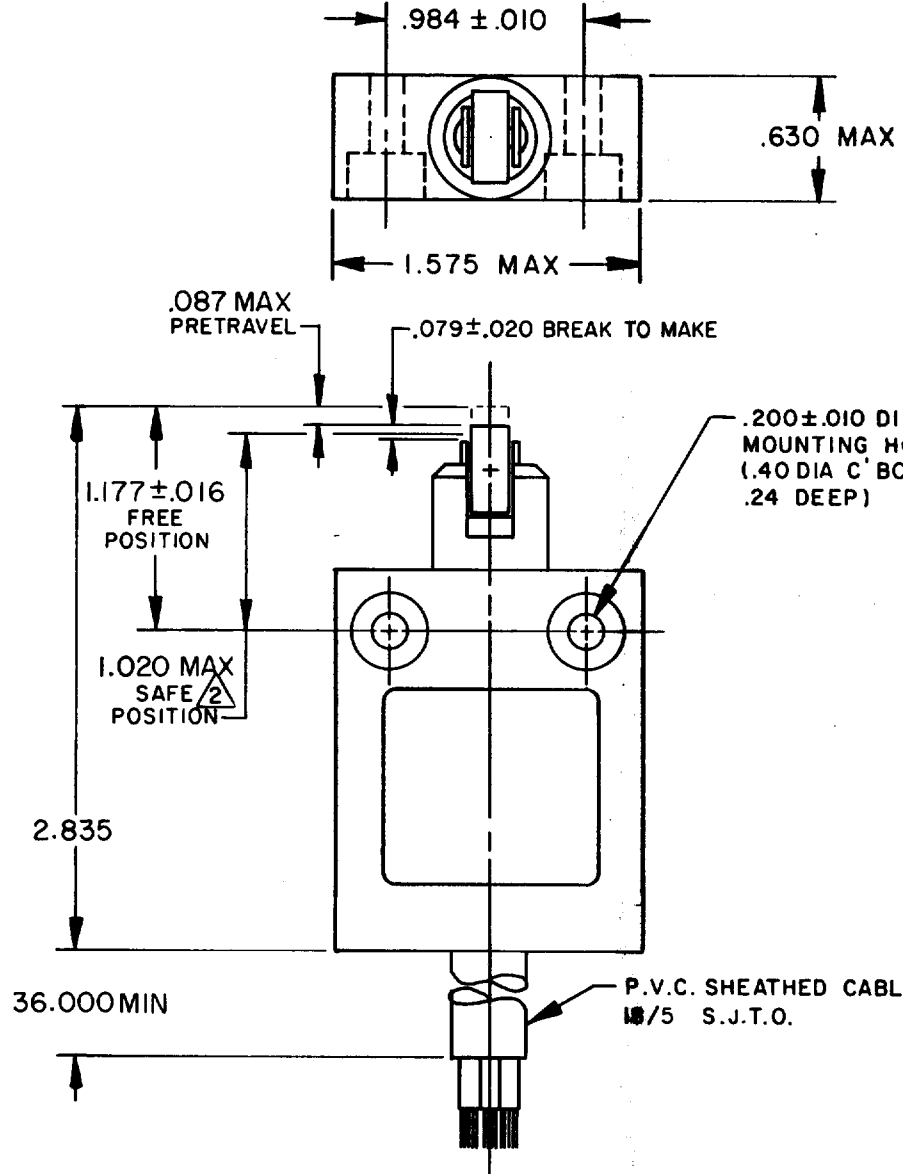
REVISIONS
 A C069061
 L J F
 15 AUG 91

CHECK

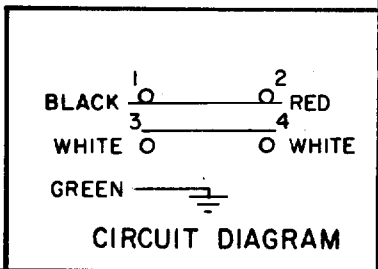
3 NOV 86

86 CHECK
 15 OCT 86
 T S K

FO-52848-A
 DRAWN



- NOTES
- 1 - ZINC HOUSING FINISHED WITH GRAY PAINT
 - 2 THE MINIMUM PLUNGER TRAVEL PAST BREAK, FOR A SAFE CONTACT GAP IS .060
 - 3 - SWITCH PROVIDES BREAK BEFORE MAKE CIRCUITRY



THIS DRAWING COVERS A PROPRIETARY ITEM AND IS THE PROPERTY OF MICRO SWITCH, A DIVISION OF HONEYWELL. THIS DRAWING IS NOT TO BE COPIED OR USED WITHOUT THE APPROVAL OF MICRO SWITCH.

THIRD ANGLE PROJECTION

| |
|----------------------------------|
| CHARACTERISTICS |
| OPERATING FORCE ----- 5.1 LB MAX |
| OVERTRAVEL ----- .039 MIN |

| |
|--------------------------------------|
| ELECTRICAL DATA |
| CONTACT ARRANGEMENT S P D T D B |
| 10A-250 VAC 1/3 HP-125 OR 250 VAC |
| |

| SCALE | FULL | | | | | | | | | | | | | | | | | | | | | | | | | | | | | | | | |
|--|-------------------------------------|----------|--------|------|----|-------|----|-------|-----------|---|------|--|-----------|------|---------|------|------------|-------|----------|-------|--------------|--------|--|--------|--------|--|--|--|---|-----------|--------------|--------------------------|-------------------------------------|
| DO NOT SCALE PRINT | | | | | | | | | | | | | | | | | | | | | | | | | | | | | | | | | |
| TOLERANCES | | | | | | | | | | | | | | | | | | | | | | | | | | | | | | | | | |
| APPLY TO DESIGN UNITS. CONVERSIONS ARE ONLY FOR REFERENCE. UNLESS NOTED, TOLERANCES ARE ± | | | | | | | | | | | | | | | | | | | | | | | | | | | | | | | | | |
| <table border="1"> <tr> <th>DIM.</th> <th>TOL.</th> <th>DIM.</th> <th>TOL.</th> </tr> <tr> <td>mm</td> <td>mm/in</td> <td>in</td> <td>mm/in</td> </tr> <tr> <td>NO PLACES</td> <td>X</td> <td>1/64</td> <td></td> </tr> <tr> <td>ONE PLACE</td> <td>X, X</td> <td>0.4/018</td> <td>X, X</td> </tr> <tr> <td>TWO PLACES</td> <td>X, XX</td> <td>0.15/008</td> <td>X, XX</td> </tr> <tr> <td>THREE PLACES</td> <td>X, XXX</td> <td></td> <td>X, XXX</td> </tr> <tr> <td>ANGLES</td> <td></td> <td></td> <td></td> </tr> </table> | DIM. | TOL. | DIM. | TOL. | mm | mm/in | in | mm/in | NO PLACES | X | 1/64 | | ONE PLACE | X, X | 0.4/018 | X, X | TWO PLACES | X, XX | 0.15/008 | X, XX | THREE PLACES | X, XXX | | X, XXX | ANGLES | | | | <table border="1"> <tr> <td>BI METRIC</td> <td>US CUSTOMARY</td> </tr> <tr> <td><input type="checkbox"/></td> <td><input checked="" type="checkbox"/></td> </tr> </table> | BI METRIC | US CUSTOMARY | <input type="checkbox"/> | <input checked="" type="checkbox"/> |
| DIM. | TOL. | DIM. | TOL. | | | | | | | | | | | | | | | | | | | | | | | | | | | | | | |
| mm | mm/in | in | mm/in | | | | | | | | | | | | | | | | | | | | | | | | | | | | | | |
| NO PLACES | X | 1/64 | | | | | | | | | | | | | | | | | | | | | | | | | | | | | | | |
| ONE PLACE | X, X | 0.4/018 | X, X | | | | | | | | | | | | | | | | | | | | | | | | | | | | | | |
| TWO PLACES | X, XX | 0.15/008 | X, XX | | | | | | | | | | | | | | | | | | | | | | | | | | | | | | |
| THREE PLACES | X, XXX | | X, XXX | | | | | | | | | | | | | | | | | | | | | | | | | | | | | | |
| ANGLES | | | | | | | | | | | | | | | | | | | | | | | | | | | | | | | | | |
| BI METRIC | US CUSTOMARY | | | | | | | | | | | | | | | | | | | | | | | | | | | | | | | | |
| <input type="checkbox"/> | <input checked="" type="checkbox"/> | | | | | | | | | | | | | | | | | | | | | | | | | | | | | | | | |
| DESIGN UNITS | | | | | | | | | | | | | | | | | | | | | | | | | | | | | | | | | |
| WEIGHT | | | | | | | | | | | | | | | | | | | | | | | | | | | | | | | | | |